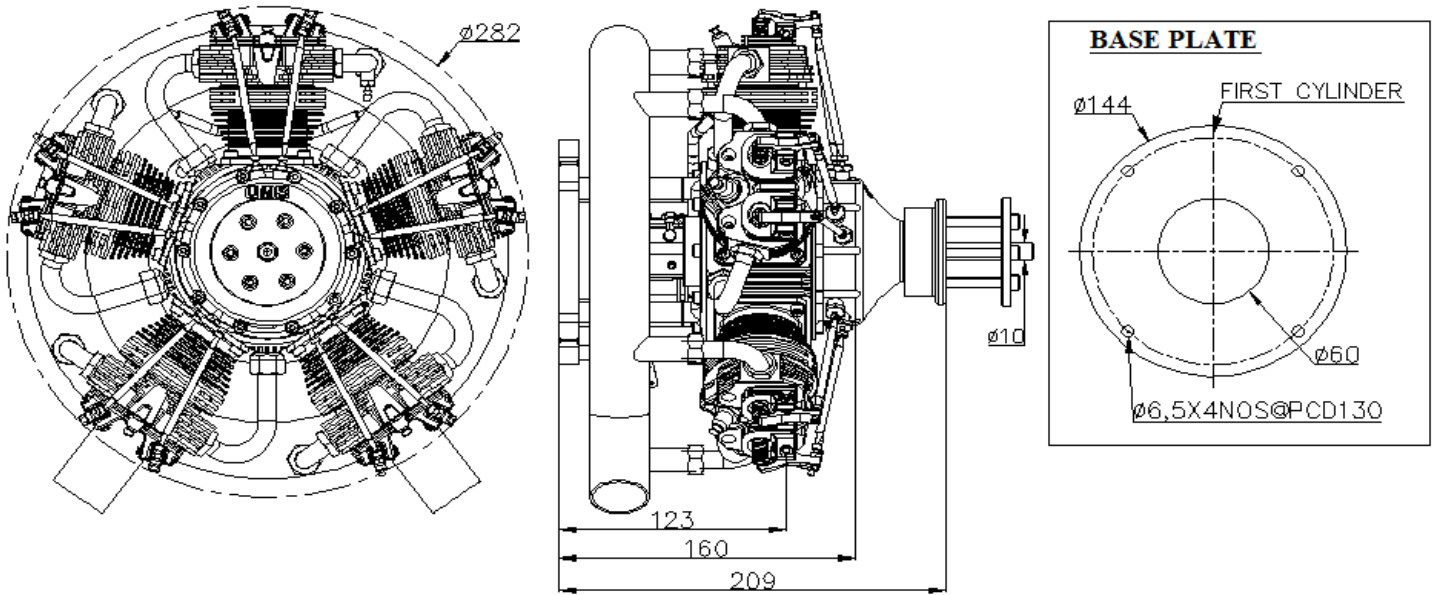


# UMS 5-210CC RADIAL ENGINE SPECIFICATION



## 5-210CC SPECIFICATION

|                                    |                            |
|------------------------------------|----------------------------|
| TYPE                               | SPARK IGNITION             |
| CYLINDER                           | 5 (ABC TYPE)               |
| CAPACITY                           | 210CC                      |
| BORE                               | 37MM                       |
| STROKE                             | 39.2MM                     |
| THRUST (Approx.)                   | 23.5kgf @ 32x14 Menz prop. |
| RPM RANGE                          | 1000-5500                  |
| WEIGHT                             | 4.9kg incl.(silencer )     |
| ENGINE DIAMETER                    | 282MM                      |
| ENGINE LENGTH                      | 209MM                      |
| PROPELLER<br>(MENZ TWO BLADE WOOD) | 32X10, 32X12, 32X14.       |
| MUFFLER TYPE                       | COLLECTOR RING             |
| PLUG TYPE                          | CM-6 RcExl                 |
| CARBURETOR                         | WALBRO WT-621              |